

MT4400D AC

Electric Drive Truck



Engine

| | | |
|-------------------------|---------------|----------|
| Engine Model | Cat® 3516C HD | |
| Gross Power – SAE J1995 | 1864 kW | 2,500 hp |

Operating Specifications

| | | |
|--------------------------------------|------------|------------|
| Nominal Payload Capacity | 221 tonnes | 244 tons |
| Gross Machine Operating Weight (GMW) | 392 357 kg | 865,000 lb |

MT4400D AC Features

High Performance Engine

The Cat 3516C HD engine offers you durable reliability and rugged, proven performance in a variety of large mining truck application.

Focus on Safety

The MT4400D AC has wide access stairways, service platforms for the engine, alternator and control cabinet, wet disc rear brakes, industry leading retarding, and enhanced visibility.

Enhanced Serviceability

Provides you with open engine access, minimized hydraulics with hydraulic lines on one side and electrical wiring on the other side, ground level filters, and a centralized hydraulic cabinet.

Cat AC Electric Drive System

The reliable AC electric drive power train is fully designed, integrated and supported by Caterpillar.

Comfortable Cab

Operators find that the spacious and quiet cab offers excellent visibility with intuitive, easy to learn controls.

Truck Body Options

Cat designed and built bodies provide you with optimal performance and reliability.

Contents

| | |
|---|----|
| Power Train – Cat AC Electric Drive | 4 |
| Power Train – Engine | 6 |
| Engine/Power Train Integration..... | 7 |
| Cat Braking System | 8 |
| Structures..... | 9 |
| Truck Body Systems | 10 |
| Monitoring System..... | 11 |
| Operator’s Station | 12 |
| Customer Support..... | 14 |
| Serviceability | 15 |
| Safety | 16 |
| Sustainability | 17 |
| Specifications..... | 18 |
| Standard Equipment..... | 23 |
| Optional Equipment..... | 24 |
| Notes..... | 25 |





The Cat MT4400D AC is designed to deliver reliability, serviceability and low owning and operating cost. It is a single sourced truck with a Cat 3516C HD engine and Cat AC Drive System.

Power Train – Cat AC Electric Drive

Gives you more power to the ground for greater productivity.



100% Caterpillar

Designed and manufactured by Caterpillar, the MT4400D AC is a 221 tonne (244 ton) AC electric drive truck that is single sourced from Caterpillar and supported through the Cat dealer network. The MT4400D power train works seamlessly with the 3516C HD engine to create a smooth ride and offers exceptional safety, serviceability and performance.

Modular Design for Excellent Serviceability

The modular design allows for easy removal and installation of components. The engine, traction alternator/generator, motors, inverter, grid, and final drives can be removed independently. The close coupled, dual bearing, traction alternator allows for easy mounting to the 3516C HD engine.

Superior Control Yields Excellent Operator Confidence

The Cat AC drive system gives you the best retarding, braking, and control in the industry. Class leading dynamic retarding coupled with blended braking, of the rear wet disc brakes and the front dry brakes, provide the operator with exceptional control and confidence.

High Voltage – Lower Heat

The Cat AC drive is a high voltage system (2,600 volts) that operates at relatively low current. The result is lower heat generation, smaller/lighter components, and longer component life.

The Cat AC Electric Drive in Propel

The 3516C HD diesel engine drives the close coupled traction alternator through an isolation coupler. The AC power is rectified to a nominal 2,600 volts to form the DC link. The DC link supplies power to the Inverter where IGBT's convert the DC signal to 3-phase AC to drive the traction motors. Motor output drives the wheels through a Caterpillar double reduction ring output final drive.

Cat AC Electric Drive in Retard

During retarding the wheel motors become generators. Motor power is fed back through the DC link. The power is fed to the contactor and chopper circuits and then exhausted through the radial grid. A brushless AC fan blows air across the grid to dissipate the power and control retarding speed.

Traction Alternator

No shimming or radial alignment required with the close coupled, dual bearing alternator, resulting in decreased install time. The excitation system is brushless which has longer maintenance intervals than brush type systems.

Inverter

The Inverter uses Mitsubishi Electric IGBT Phase Modules to control the rimpull, direction and speed of the truck. Mitsubishi Electric is the leader in IGBT technology.

Traction Motors

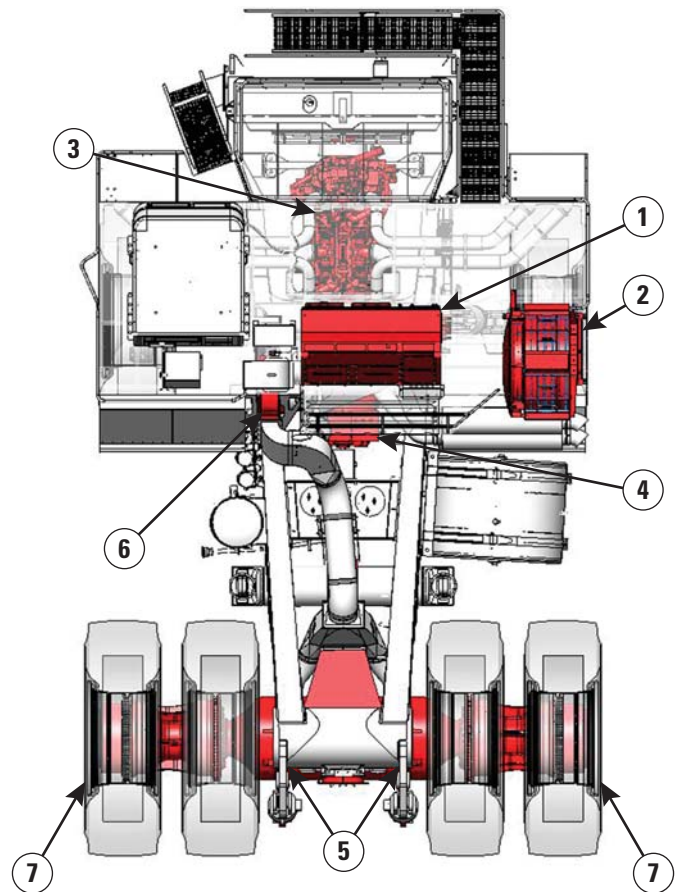
Each traction motor is a 3-phase AC induction type. The high voltage, low current motor is mounted inside the rear axle box.

Radial Grid

The radial design grid sits well back on the deck giving operators excellent visibility to the right side. The grid features the highest retarding power in the industry, better grid life, and is significantly quieter than box grids. The AC electric motor does not require any maintenance, which is a significant savings to the customer over DC motor systems.

Variable Hydraulic Blower

The hydraulic drive blower motor offers exceptional cooling, even in extreme environments. The variable hydraulic blower has the ability to provide the required cooling, even while the truck is at idle, compared to direct drive motors that are dependent on engine rpm. The variable blower is better at keeping critical components cool, and thus ensures long component life.



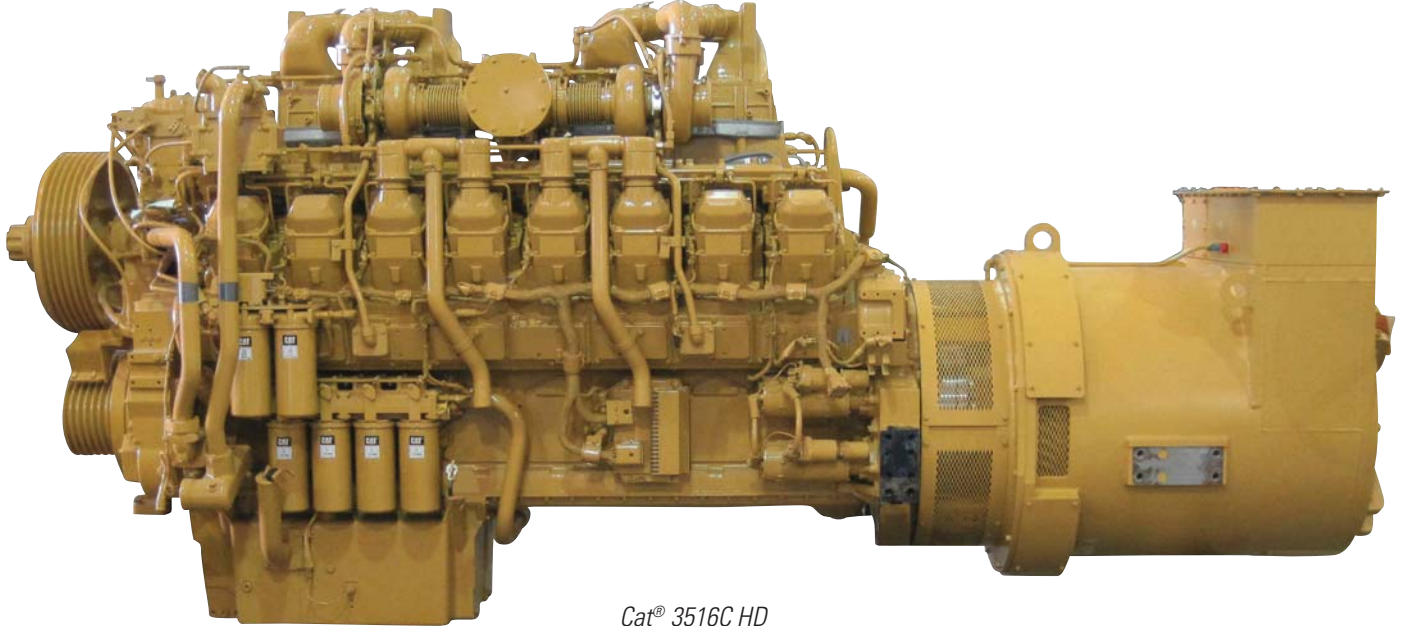
- 1) Control Power Inverter Cabinet
- 2) Radial Grid
- 3) 3516 C HD Engine
- 4) Traction Alternator
- 5) Traction Motor (Inside axle box)
- 6) Variable Hydraulic Blower Motor
- 7) Final Drives

Additional Features

- Anti roll back prevents the machine from moving in a direction opposite the operator's intent.
- The grid dry function dries the grid quickly in inclement weather.
- Traction Control System (TCS) electronically monitors individual wheel speed and adjusts the torque of each final drive to mitigate the hazard and keep the operator in control.
- Reverse Shift Inhibit ensures reverse propulsion is not applied when the truck is moving forward.
- Cat AC drive system is trolley capable.

Power Train – Engine

Power, reliability and efficiency for your most demanding mining applications.



Cat® 3516C HD

Engine

The Cat 3516C HD is a quad turbocharged diesel engine that provides maximum performance in the most demanding mining applications.

Design

The 3516C HD is a 16 cylinder design that uses long effective power strokes for more complete fuel combustion and optimum efficiency. The large 78.1 liter displacement, low rpm, and conservative horsepower ratings mean more time on the haul roads and less time in the shop.

Electronic Control Module (ECM)

The ECM utilizes advanced engine management software to monitor, control and protect the engine utilizing self-diagnosing electronic sensors. The computerized system senses operating conditions and power requirements and adjusts the engine for peak performance and the most efficient operation at all times.

Cat Data Link

Cat Data Link electronically integrates the engine and machine computer system to optimize overall power train performance, increase reliability, maximize component life, and reduce operating costs.

Cat Electronic Technician

Provides service technicians with a tool to access stored diagnostic data through the Cat Data Link to simplify problem diagnostics and increase machine availability.

Engine/Power Train Integration

Reduced operating costs through electronically coordinated power train components.



Control Software and Integration

The integrated controls of the MT4400D AC make the truck simple to operate. They provide:

- Excellent slow speed control for safety within the service areas.
- Excellent throttle response on acceleration to move out of the loading or dump areas.
- Dynamic retarding with blended service brakes, at low speed.

Cat Data Link

Caterpillar's proprietary electronics and controls allow complete machine system integration. The Cat Data Link port provides one location to access all system information for programming function, instead of individual locations for drive system and engine. All computer systems are linked to:

- Optimize power train performance.
- Increase reliability and component life.
- Reduce operating costs.
- Improves fuel efficiency.

Cat Braking System

Excellent braking control gives operator's confidence.

Industry Leading Dynamic Retarding

The radial grid is rated at 3.281 MW (4,400 hp) – allowing you excellent control of the truck speed in long retarding applications. The radial design is light, efficient and quiet.

Brake Design

Hydraulic brake actuation system features fully modulated service brakes (foot, or hand operated system), fully modulated secondary brake (foot or hand operated), loading brake for use under the shovel and a spring applied/hydraulic release park brake.

Rear Wet Disc Brakes

The wet disc brakes provide the operator with excellent control and confidence in the truck. The Cat oil cooled brakes in the rear wheel assemblies are designed with large discs and plates for reliable and adjustment free operation. They are enclosed and sealed to prevent contamination and provide long life. These oil disc brakes provide exceptional braking at all speeds.

Front Brakes

The four calipers/wheel dry front brakes offer excellent stopping capabilities and are very robust.

Blended Braking

Full electric retarding effort will be maintained down to a truck speed of 3.2 km/h (2.0 mph). Blended braking of the service brakes (60/40 split rear and front service brakes) occurs between 3.6-4.0 km/h (2.25-2.5 mph) and will be used to completely stop the truck and hold it stationary.

Automatic Retarding Control

Operator controlled – (ARC) engages automatically and maintains speed consistently. A simple toggle switch is used to adjust retarding speed.

Anti-Rollback

Automatically applies service brakes to prevent the truck from rolling from a stop opposite the intended direction of travel.

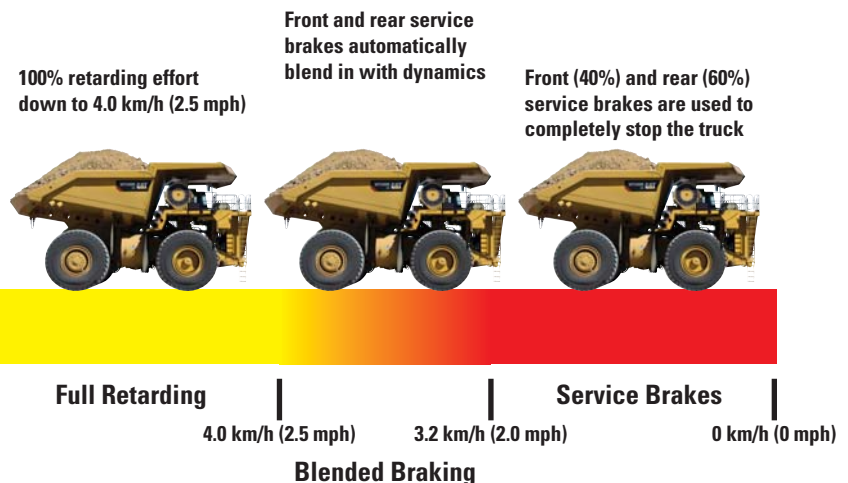


Reverse Shift Inhibit

Ensures reverse propulsion is not applied when the machine is moving forward.

Park Brake Alarm

Park brake alarm alerts the operator if he starts to exit the cab before the park brake has been applied. This feature helps prevent accidental machine movement.





Suspension System

The design of the suspension system utilizes Nitrogen/Oil suspension cylinders that feature pin to pin mounting allowing for access and change out of components without having to remove the tires.

Durable Design

Double shear clevis attachment both top and bottom allows for easy removal and installation of suspension. The Nitrogen/Oil suspension cylinders reduce input loads into the structure for improved fatigue life and better ride.

Structures

Cat structures are known for being the best in the industry for durability and long life.

Straight Rail Frame

The MT4400D AC utilizes a straight rail design. The straight rail design eliminates bends and breaks, which are sources of stress concentrations.

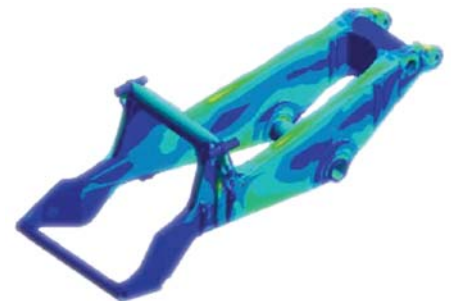
- **Box Section Construction** – The box section construction utilizes Caterpillar proprietary steel specification, which has very low sulfur content and provides excellent welding characteristics, plus outstanding durability.
- **Deep Section Main Rails** – Deep section main rails, in critical areas of the frame, lower the stress levels resulting in increased frame life.
- **Tubular Center Cross Beam** – The tubular center cross beam with hoist cylinder and axle box attachment eliminates torsion and eccentric loads associated with conventional designs. The axle box attachment is integrated into the cross member and the bearing surface is replaceable.

Integrated Four Post ROPS Cab

Designed to maximize the operator space by deforming the support structure rather than compromise the operator compartment. The transverse mounting beams absorb energy by deflecting around established pivot points, maintaining the integrity of the operator compartment.

Single Beam Front Axle

The single beam front axle is designed for load sharing on the beam, resulting in flatter turns and sharing of tire loading for better tire life. This lower structure absorbs the road undulations, giving a better ride and decreasing operator fatigue levels.



Nose Cone Bearing

MT4400D AC has a center cross member that incorporates a wraparound spherical axle box nose cone connection. This nose cone attachment features a patented, large two piece bearing that reduces contact pressure to less than 9653 kPa (1,400 psi) allowing for a longer bearing life. The replaceable bearing surface in the axle box attachment is lubricated, sealed, and integrated into the cross member for easy access and maintenance.



Truck Body Systems

Caterpillar designed and built for rugged performance and reliability.

Cat Bodies

Integral to the truck, the body is designed to fit with the chassis and work as part of the truck system. Each body is sized to meet the payload requirements without compromise to vehicle balance, braking or control.

Cat Body Choices

Body options include the popular Conventional Body, lightweight High Efficiency Body, and Gateless Coal Body. Liner options fit the body to the application.

- **Conventional Body** – Based on the mine site evaluation of your mine, the body is sized and configured to meet the specific needs dictated by fragmentation, abrasion, cohesion, and the loading tool. This body achieves an excellent balance of payload and durability (shown in picture above).
- **High Efficiency (HE) Body** – The body is sized and configured to meet the specific needs dictated by fragmentation, abrasion, cohesion, and the loading tool to maximize the payload capability of the truck.
- **Gateless Coal Body** – Eliminating problematic tail gates – the Gateless Coal Body is intended for dedicated coal haulage.

Monitoring System

Keeping your production at peak levels.



VIMS™ 3G Monitoring System

Provides operator critical health and payload information in real-time to keep the MT4400D AC performing at optimum levels. VIMS is able to monitor information from all vehicle systems. Ten (10) different machine parameters can be viewed at once. Data can be downloaded easily by Service Technicians for troubleshooting, planning and lowering costs.

Advisor Display

The Advisor display provides real-time performance, maintenance and diagnostic data to the operator or service technician. A large number of machine parameters can be viewed including temperature, pressure, speed, and payload.

Payload Management

Information is available to manage payloads to improve fleet effectiveness and loading tool match. It can help prevent overloading to extend component life and lower operating and maintenance costs.

External Payload Indicators

Standard external lights or optional digital display to help loading tool operator reach payload target and minimize overloading.

VIMSpC

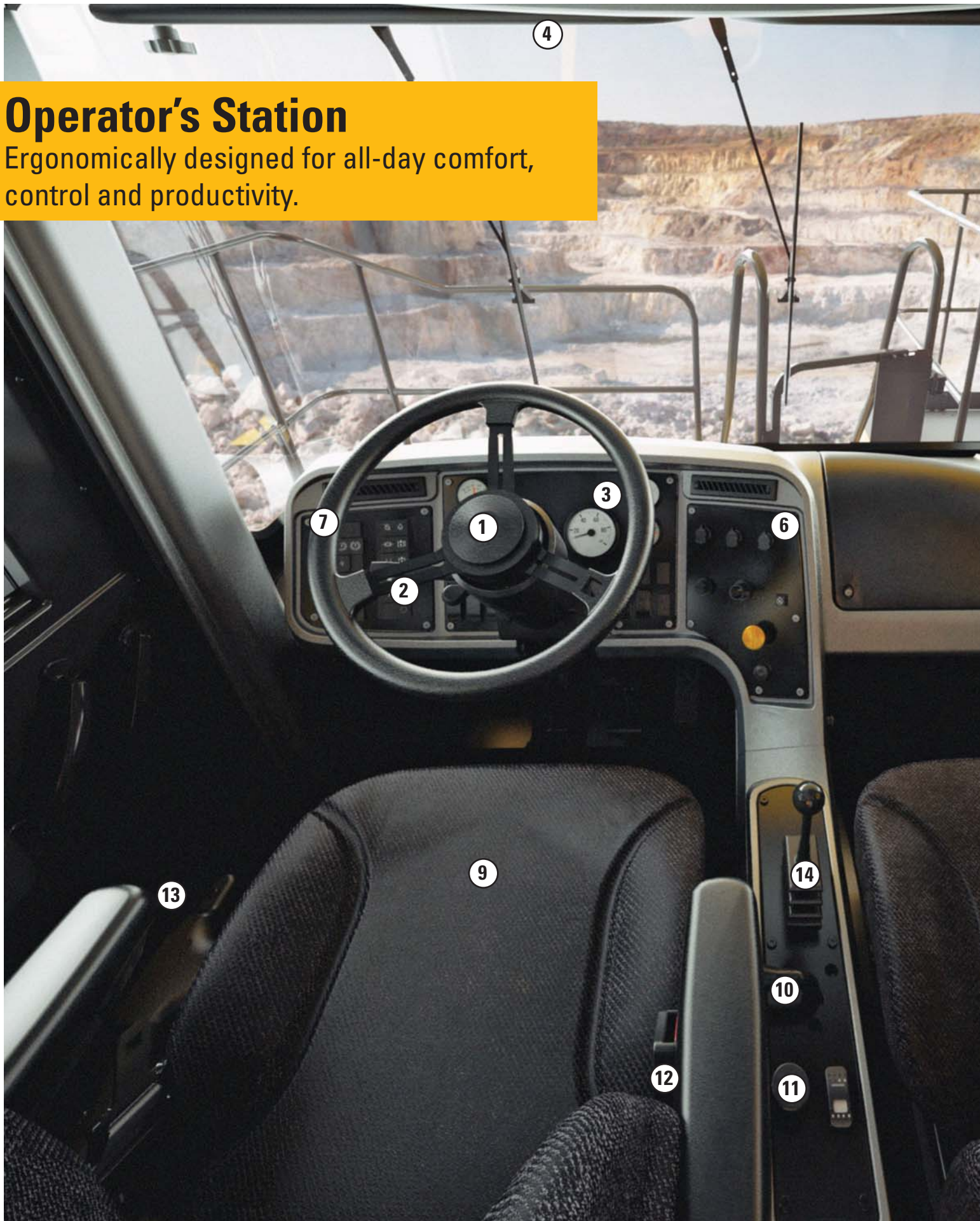
An Off-board software reporting program that allows your service personnel to download a complete record of machine health and productivity data. Health and payload reports can be generated for more effective machine management, which reduces downtime and lowers operating costs.

VIMS Supervisor

Optional software allows your mine personnel to easily manage and interpret VIMS data for optimum fleet management and productivity.

Operator's Station

Ergonomically designed for all-day comfort, control and productivity.





Operator Environment

The Cat MT family cab can accommodate two full size reclining seats, while providing ample storage space behind the seats.

Ergonomic Layout

To minimize operator fatigue and maximize productivity, the Cat MT family operator station is ergonomically designed for total machine control in a comfortable, productive and safe environment. Controls, levers, switches and gauges are positioned for ease of use.

Viewing Area

Designed for excellent all-around visibility and clear sight lines to the haul road, the large viewing area offers exceptional visibility, allowing the operator to maneuver with confidence for high productivity. The operator environment was designed with curved front glass to provide a 191-degree view. Support pillars have been moved further back to provide a more unobstructed front view. Deck compartments have been positioned to minimize impact on the side field of view.

- 1) Adjustable Steering Column
- 2) Turn Signals
- 3) Gauge Cluster
- 4) Advisor Display
- 5) 191-degree Viewing
- 6) Right Gauge Panel
- 7) Indicator Light Panel
- 8) Circuit Breakers (under dash)
- 9) Air Suspension Seat
- 10) Vehicle Directional Control
- 11) Automatic Retard Control
- 12) 3-Point Seat Belt (driver) (2-Point companion)
- 13) Storage Compartments
- 14) Service Brake Lever (service brake pedal also on floor)



Customer Support

The most experienced dealer network in the world.

Commitment to Meet Your Needs

Cat dealer 24/7 support offers solutions, services and products to help you lower costs, enhance productivity, and manage your fleet anywhere in the world. Expert technicians have the knowledge, experience, training, parts and tooling to keep your MT4400D AC running at high availability.

Product Support

Caterpillar supports the MT4400D AC with a worldwide network of parts distribution, dealer service centers and technical training facilities. Our global dealer network is ready to meet your support needs around the clock and around the world.

Service Support

Cat dealers offer a wide range of service plans to help maximize your uptime and return on your investment, including:

- Preventive Maintenance Programs
- Diagnostic Services such as Scheduled Oil Sampling and Technical Analysis
- Rebuild and Remanufactured Product Options
- Customer Support Agreements

Application Awareness

Application and site-specific factors such as material density, loading practices, payload, speed, grade and haul road design and maintenance influence the cost to operate and maintain your haulage fleet. Your Cat dealer can provide help in understanding the effects application factors and operating practices have on maintenance and operating costs. They also offer training to help operators improve productivity, decrease downtime, reduce operating costs and enhance safety.

Serviceability

Reduced maintenance time results in more productivity.



Modular Design

Major components can be serviced individually with minimal removal and installation time. Work platforms and step/stairs are located in key service areas. The close coupled, dual bearing, generator/alternator is separate from the engine and can be removed without removing the body – wheel motors are separate from final drives.

Ground Level Access

Grouped service points (4 filter service groups) allow convenient access to tank levels, filters, drains and S-O-SSM oil sampling ports.

Servicing Ease

- Open engine access with service platforms makes maintenance easy. Traction alternator and inverter platforms allow for easier inspections, troubleshooting, and component change outs.
- Hydraulic cabinet shows critical pressures for all key system in one centralized location.

Separate Hydraulic and Electric Lines

Hydraulic lines run inside the left side of the frame, while the electric lines run inside the right side of the frame. This makes servicing and replacement quick and easy.



Safety

Designed with safety as the first priority.

Product Safety is a Commitment

Caterpillar is concerned about your safety. We continue to be the industry leader in proactive development of machines and features that exceed safety standards.

Controls

The Cat drive control features anti roll back, traction controls, a park brake warning when exiting the cab, and an automatic retarder that inspires operator confidence.

Isolation

The MT4400D AC features a ground level system lockout, VIMS monitoring, and stored energy dissipation at shutdown. These features, and the excellent serviceability of the MT4400D AC, allow your technicians to perform repairs safely and quickly.

Access/Egress

Standard 600 mm (24") wide ladders, flat deck, toe kicks, and optional power access stair attachment allows for easy and safe access and egress.





Sustainability

Reduced maintenance time results in more productivity.



Sustainability Features

The MT4400D AC Mining Truck offers continuous rear axle filtration and extended maintenance intervals which aid in decreasing the amount of waste contributed to our environment.

Remanufacturing Options

Cat MT trucks are designed to be rebuilt and deliver a long life. Many MT4400's have logged over 100,000 hours of frame life. Components are designed to be remanufactured for multiple service lives.

Engines with Advanced Technology

Cat engines feature advanced technology components that contribute to better fuel economy and decreased emissions.

12,000 Hour Coolant and Low Oil/Lube Consumption

MT4400D AC has exceptionally low oil and lube consumption when compared to the competition. This provides a reduced impact on the environment, lower cost of ownership, and less maintenance time.

MT4400D AC Electric Drive Truck Specifications

Engine

| | | |
|-------------------------|--------------|-----------------------|
| Engine Model | Cat 3516C HD | |
| Gross Power – SAE J1995 | 1864 kW | 2,500 hp |
| Bore | 170 mm | 6.7 in |
| Stroke | 215 mm | 8.5 in |
| Displacement | 78.1 L | 4,766 in ³ |

- Power ratings apply at 1,800 rpm when tested under the specified condition for the specified standard.
- Ratings based on SAE J1995 standard air conditions of 25° C (77° F) and 99 kPa (29.61 Hg) dry barometer. Power based on fuel having API gravity of 35 at 16° C (60° F) and an LHV of 42 780 kJ/kg (18,390 Btu/lb) when engine used at 30° C (86° F).
- No engine derating required up to 2286 m (7,500 ft) altitude.
- U.S. Environmental Protection Agency Tier 1 emission standards equivalent.

Weights – Approximate

| | | |
|--------------------------------------|------------|------------|
| Gross Machine Operating Weight (GMW) | 392 357 kg | 865,000 lb |
| Empty Vehicle Weight | 171 168 kg | 378,500 lb |

- GMW depends on tire selection.
- Consult your tire manufacturer for maximum GMW and loaded top speed.
- Empty vehicle weight with 100% fuel, standard machine configuration, and HE body design.
- Tire size 46/90 R57, optional 50/80 R57, 40.00R57.

Operating Specifications

| | | |
|--------------------------|------------|------------|
| Nominal Payload Capacity | 221 tonnes | 244 tons |
| Top Speed – Loaded | 64 km/h | 40 mph |
| Steer Angle | 30 degrees | |
| Turning Circle Diameter | 30.4 m | 99 ft 8 in |

- Refer to the Cat Mining Truck 10/10/20 Overload Policy (AEXQ0250-02) for maximum gross machine weight limitations.

Final Drives

| | | |
|-----------------------|------|--|
| Total Reduction Ratio | 35:1 | |
|-----------------------|------|--|

Sound

Sound Standards

- The operator sound pressure level measured according to work cycle procedures specified in ISO 6394 and 6396 is 79 dB(A) for cab offered by Caterpillar when properly installed and maintained and tested with doors and windows closed.
- Hearing protection may be needed when operating with an open operator station and cab (when not properly maintained or doors/windows open) for extended periods or in a noisy environment.

ROPS

ROPS Standards

- ROPS (Rollover Protective Structure) meets ISO 3471:1994.
- FOPS (Falling Object Protective Structure) meets ISO 3449:1992.

AC Drive System

| | |
|----------------|---|
| Alternator | Brushless, direct mounted, dual bearing |
| Controls | IGBT Inverter Technology, air cooled, pressurized cabinet with filtration |
| Wheel Motor | Rear axle mounted Cat AC induction |
| Cooling System | Variable speed hydraulic cooling system |

Suspension

| | | |
|-----------------------------------|--------|---------|
| Effective Cylinder Stroke – Front | 304 mm | 12 in |
| Effective Cylinder Stroke – Rear | 184 mm | 7.85 in |
| Rear Axle Oscillation | ±5.7° | |

Body Hoists

| | | |
|------------------------------|--------------|-------------|
| Pump Flow – High Idle | 900 L/min | 238 gal/min |
| Relief Valve Setting – Raise | 17 236 kPa | 2,500 psi |
| Body Raise Time – High Idle | 22 Seconds | |
| Body Power Down – High Idle | 16.5 Seconds | |

- Twin two-stage, double acting hydraulic cylinders.
- Filtration: High-pressure units with 6 micron (nominal) filtration and environmentally disposable elements. Hydraulic tank outlet contains a strainer with 100 mesh screening.
- Oil fill 3 micron filter.

MT4400D AC Electric Drive Truck Specifications

Braking System

| | | |
|--|------------------------------------|------------------------|
| Front Brakes – Dry Disc – 4 Calipers/Wheel | | |
| Disc Diameter | 1168 mm | 46 in |
| Rear Oil Cooled Brakes | | |
| Outside Diameter | 940 mm | 37 in |
| Brake Surface – Rear | 155 383 cm ² | 24,084 in ² |
| Standards | J-ISO 3450 JAN88, ISO 3450:2011 | |
| Electric Retarding | | |
| Radial Grid Design | | |
| Brushless AC Motor | | |
| Dynamic Retarding Power | 3281 kW | 4,400 hp |

Weight Distributions – Approximate

| | |
|---------------------|-----|
| Front Axle – Empty | 50% |
| Rear Axle – Empty | 50% |
| Front Axle – Loaded | 33% |
| Rear Axle – Loaded | 67% |

Body Capacity – 100% Fill Factor

| | | |
|------------------|------------------------|-------------------------|
| Struck (SAE) | 77-135 m ³ | 101-176 yd ³ |
| Heaped (SAE 2:1) | 125-170 m ³ | 163-222 yd ³ |

- Contact your local Cat dealer for body recommendation.

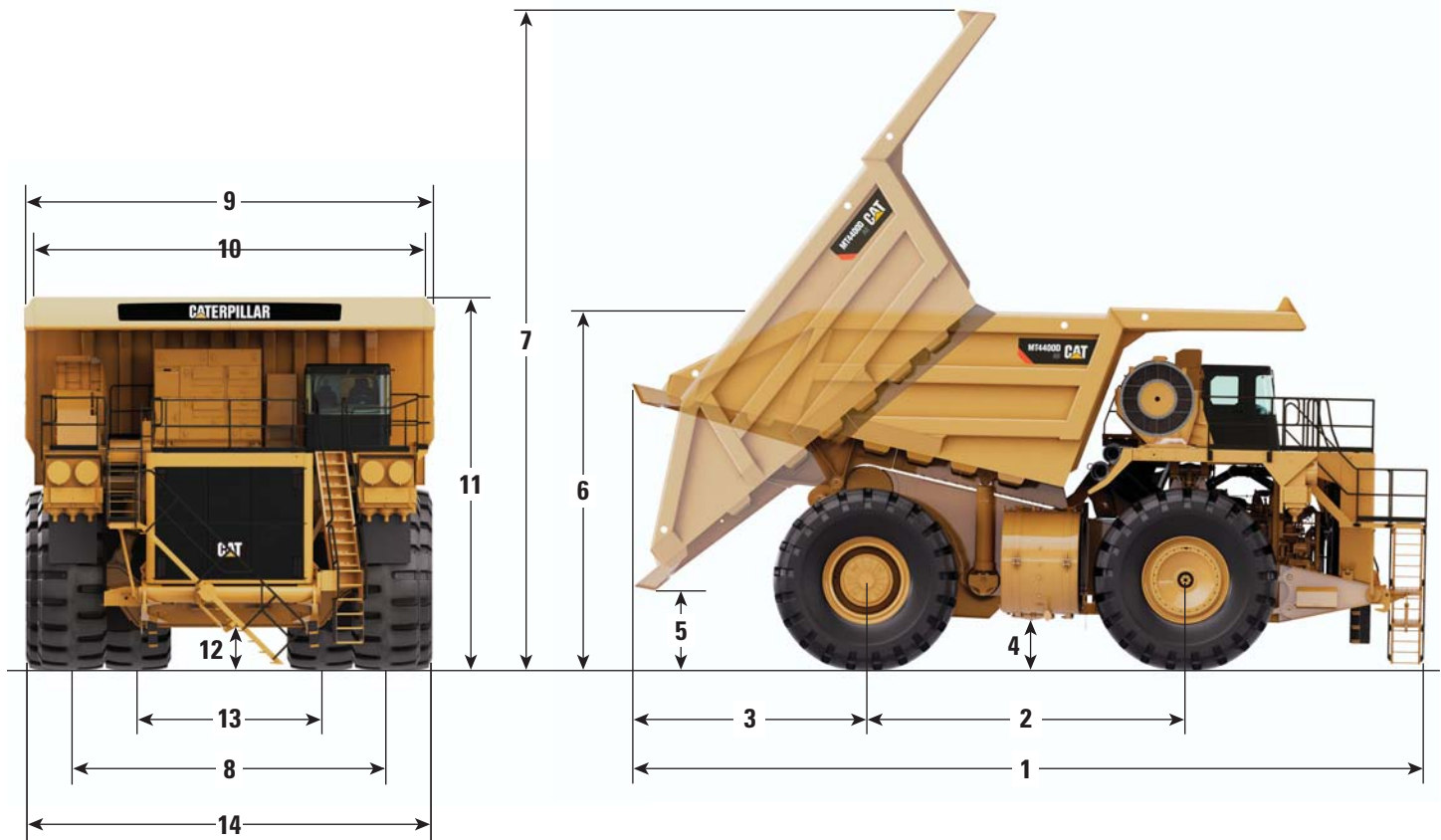
Service Refill Capacities

| | | |
|----------------------------------|--------|-----------|
| Fuel Tank | 3028 L | 800 gal |
| Fuel Tank (optional) | 4922 L | 1,300 gal |
| Cooling System | 686 L | 181 gal |
| Crankcase | 288 L | 76 gal |
| Final Drives, each | 129 L | 34 gal |
| Hydraulic Tank | 670 L | 177 gal |
| Hydraulic System (includes tank) | 1113 L | 294 gal |

MT4400D AC Electric Drive Truck Specifications

Dimensions

All dimensions are approximate.

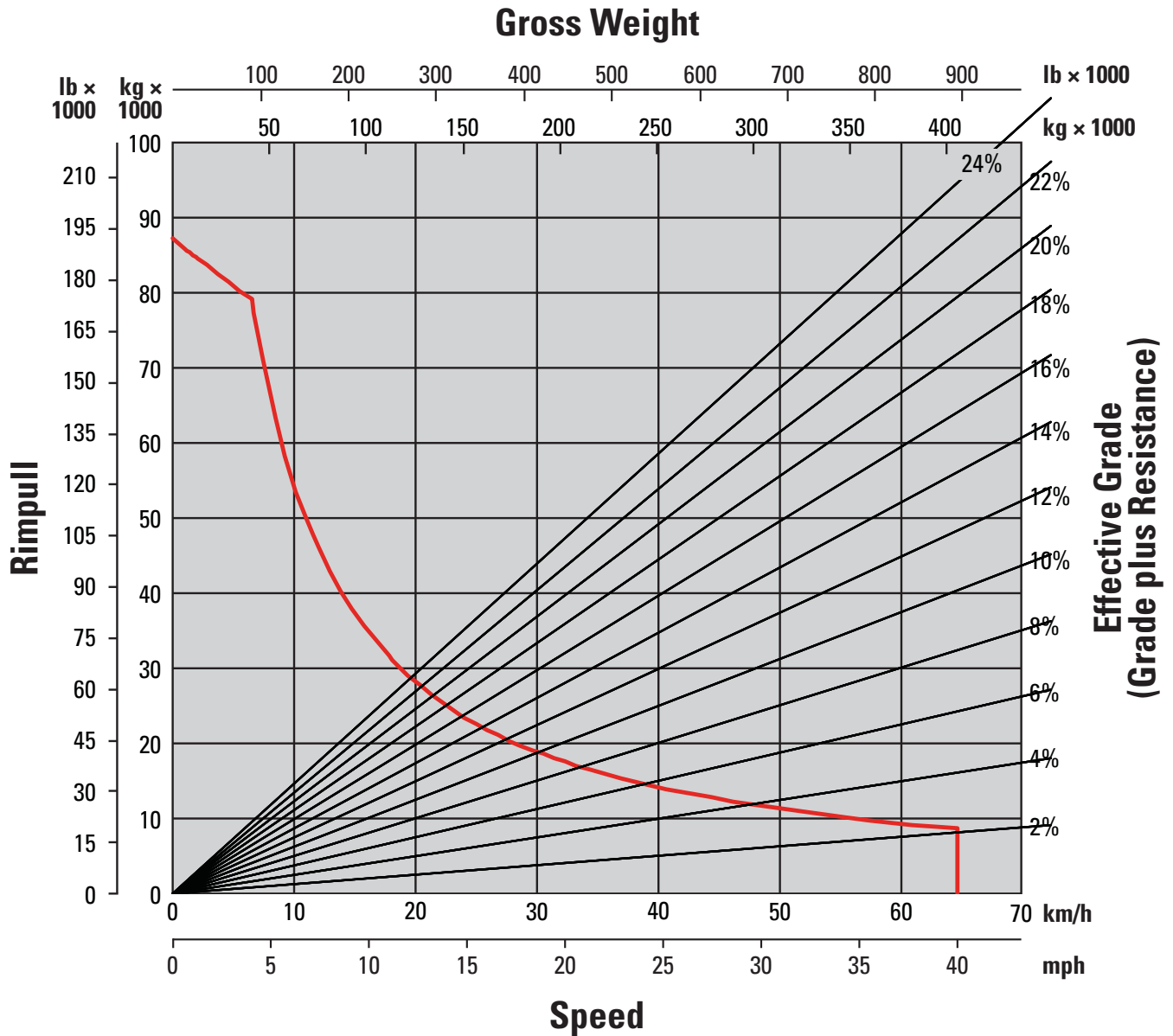


| | | |
|------------------------------------|-----------|-------------|
| 1 Overall Length | 14 783 mm | 48 ft 6 in |
| 2 Wheelbase | 6401 mm | 21 ft 0 in |
| 3 Rear Axle to Tail | 4318 mm | 14 ft 2 in |
| 4 Ground Clearance – Front Axle | 711 mm | 2 ft 4 in |
| 5 Dump Clearance | 1524 mm | 5 ft 0 in |
| 6 Loading Height – Empty | 6223 mm | 20 ft 5 in |
| 7 Overall Height – Body Raised | 14 326 mm | 47 ft 0 in |
| 8 Centerline Front Tire Width | 6274 mm | 20 ft 7 in |
| 9 Overall Width | 7950 mm | 26 ft 1 in |
| 10 Inside Body Width | 7163 mm | 23 ft 6 in |
| 11 Front Canopy Height | 7341 mm | 24 ft 1 in |
| 12 Rear Axle Clearance | 914 mm | 3 ft 0 in |
| 13 Centerline Rear Dual Tire Width | 4963 mm | 16 ft 3 in |
| 14 Overall Tire Width | 7605 mm | 24 ft 11 in |

MT4400D AC Electric Drive Truck Specifications

Gradeability/Speed/Rimpull*

To determine gradeability performance: Read from gross weight down to the percent of total resistance. Total resistance equals actual percent grade plus 1% for each 10 kg/t (20 lb/ton) of rolling resistance. Usable rimpull will depend upon traction available and weight on drive wheels.



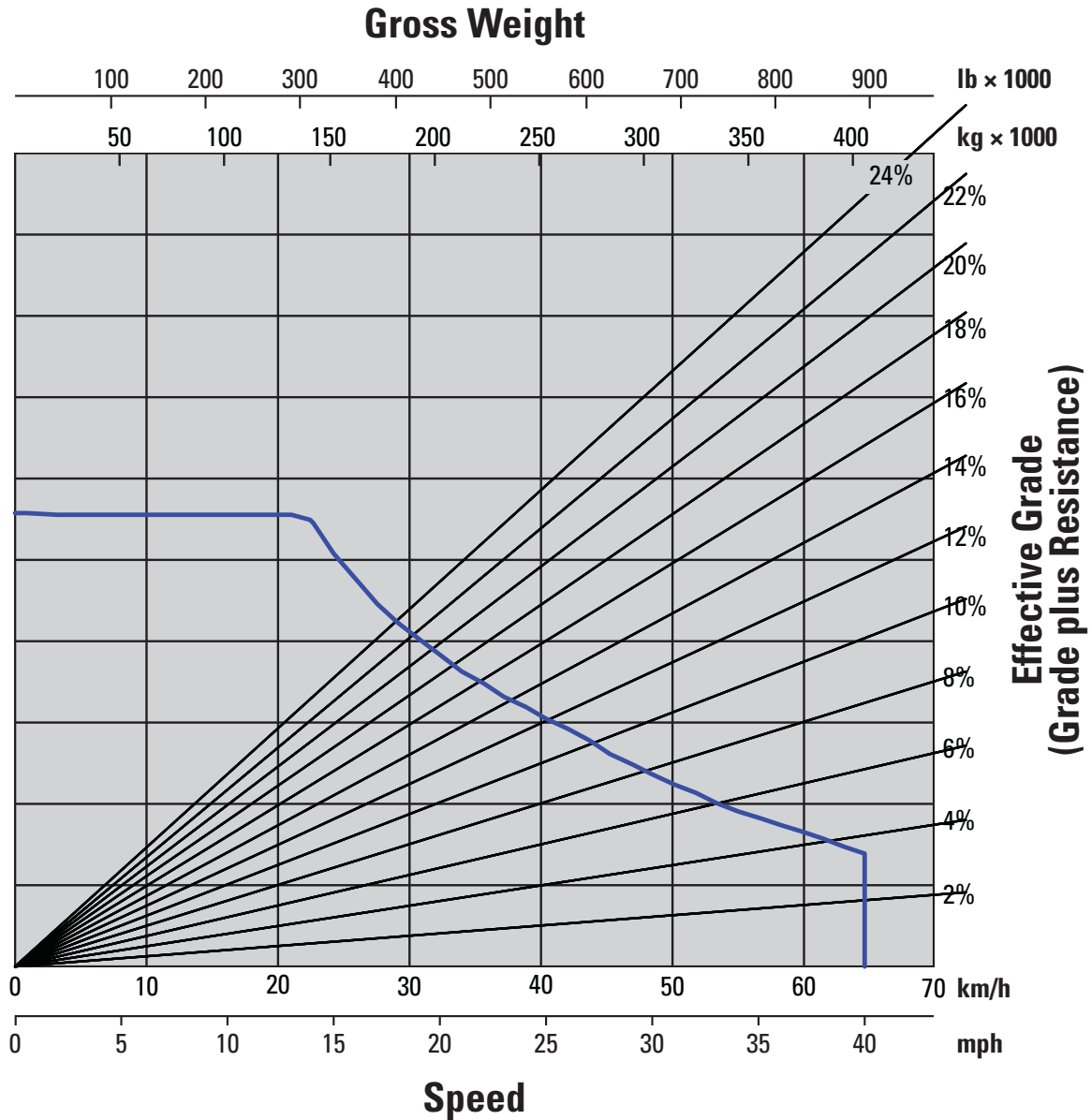
*At sea level, 30° C (86° F). Contact factory for performance estimates based upon site specific temperatures and altitudes.

Truck, if equipped with liners will have reduced payload.

MT4400D AC Electric Drive Truck Specifications

Retarding Performance*

To determine retarding performance: Read from gross weight down to the percent effective grade. Effective grade equals % grade minus 1% for each 10 kg/t (20 lb/ton) of rolling resistance. The following chart is based on 30° C (86° F) ambient temperature, at sea level, with 46/90 R57 tires.



*At sea level, 30° C (86° F). Contact factory for performance estimates based upon site specific temperatures and altitudes.

Truck, if equipped with liners will have reduced payload.

Standard Equipment

Standard equipment may vary. Consult your Cat dealer for details.

ELECTRICAL

- Brushless Alternator, 150 ampere
- Ground Level Electrical Isolator
- Ground Level Engine Shutdown Switch
- Batteries, Size 31 AGM, Quantity 6
- Lighting, Signals/Service
 - Lights 4 Halogen Headlights (high/low beam)
 - Lights Rear Dynamic Braking, Service Brakes, Back-up
 - Lights Service Group
 - Lights Access Steps

OPERATOR ENVIRONMENT

- Air Conditioner with Climate Control
- 12 volt DC Power Supply (2)
- Cup Holder (2)
- Document Holder Compartment
- Entertainment Radio Ready
 - 20 amp switched/10 amp Memory Converter, Speakers and Wiring Harness
- Gauges/Indicators
 - Air Cleaner Service Indicator
 - Brake Drag Warning
 - Coolant Temperature Gauge
 - Volt Meter
 - Fuel Level
 - Speedometer/Odometer/Hourmeter
 - Tachometer
 - Engine Oil Pressure Gauge
 - Check Engine Indicator
 - Electric System Fault Indicator
 - High Hydraulic Temperature
 - Low Brake Pressure
 - Low Hydraulic Oil Level
 - Low Steering Pressure
 - Stop Engine
- Heater/Defroster
- Electric Hoist Lever
- Horn
- Light Dome/Courtesy
- Access Light Switch
- Engine Start/Stop Switch
- Headlight/Tailight Switch
- High Low Beam Indicator and Switch
- Load Brake Switch
- Park Brake Switch

- Turn Indicator Lights and Lever
- Hand Brake Control
- Four Post ROPS Cab, Insulated/Sound Suppressed
- Seat, Operator, Air Suspension
- Seatbelt, Operator, Three Points, Retractable
- Steering Wheel, Tilt, Padded
- Sun Visor/Tinted Glass
- Windshield Wiper (intermittent) and Washer
- Power Windows
- Rearview Mirrors (left and right)
- Stairway Light Switch

POWER TRAIN

- Cat 3516C HD Engine
 - Diesel Engine/Turbocharged/Aftercooled
 - Ground Level Engine Shutdown
 - Either Starting Aid (automatic)
 - Elevated Low Idle Control
 - Automatic Starter Protection
 - Multi-point Oil Pressure Sensing
- Braking System
 - Brake Release System for Towing
 - Oil-cooled, Multi-disc (rear) (service, retarding, parking, secondary)
 - Front Service/Secondary Caliper Brake
 - Rear Caliper Disc Park Brake
 - Automatic Retarding Control
 - Electric Dynamic Retarding with Blended Low Speed
 - Engine Overspeed Protection
 - Extended Life Brake Disc Material
- Cat AC Drivetrain
 - IGBT Controlled AC Induction Motors
 - Brushless Traction Generator
 - Radial Retard Grid with AC Blower Motor
- Body-up Reverse Neutralizer
- Programmable Top Speed
- Rear Axle Continuous Lube/Filtration
- Reverse Shift Inhibitor
- Directional Shift Management
- Neutral Coast Inhibitor
- Body-up Shift Inhibitor
- Neutral Start Inhibitor

OTHER STANDARD EQUIPMENT

- Radiator Fan Guard
- Alternator (24 volt) Belt Guard
- Air Conditioner Compressor Belt Guard
- Pump Drive Guard
- Hydraulic Lubrication Automatic
 - 62 L (16.4 gal) Tank – 54.4 kg (120 lb)
- Fuel Fast Fill – Quick Charge
- Fuel Water Separator
- Deck Hand Rails
- Reverse Hoist Interlock
- Dump Body Lock-up Cable
- Muffler (without body heating)
- Access Ladder
- Automatic Auxiliary Steering (accumulators)
- Auxiliary Dumping Connections
- Engine Service Ladder (left and right side)
- Skid Resistant Deck Top
- Air Cleaner Rock Shields
- Centralized Terminal Board Locations
- Converter 24 volt to 12 volt, 25 amp Capacity
- Dry Air Cleaners
- Front Wheel Fenders and Mud Guards
- Fuel Tank Sight Gauge
- Hydraulic Component Box Gauges
- Hydraulic Test Ports
- Rock Ejectors
- Super Large Bore Tire Inflation Values
- Clearance Light and Turn Signals
- Hinged Dash Panels
- Traction Control System

MT4400D AC Optional Equipment

Optional Equipment

Optional equipment may vary. Consult your Cat dealer for details.

- Wheel Station and Rims in 32" or 29"
- Body Heat Exhaust
- Conventional Body
- High Efficiency Body
- Optima Batteries (6)
- High Intensity Discharge (HID) Lighting
- English or Metric Gauges
- English or Metric Hub Odometer
- Payload, Digital Display
- 4920 L (1,300 gal) Fuel Tank
- Diagonal Fixed Ladder (ground level access on driver's side)
- Diagonal Powered Ladder (ground level access on driver's side)
- Inverter Walkway
- Heated Mirrors (LH and RH)
- Final Drive Oil Cooler Filtration
- Standard Accumulators and Australia Certified Accumulators
- Side Profile Lighting
- Active Retarding Light Indicator
- Battery Jump Start Connection
- Battery Charge Receptacle
- Fog Lights
- Camera Safety System (1 Camera)
- Camera Safety System (3 Camera)
- Hot Start, for Cold Weather
- Oil Pan Guard
- Rear Light Guards
- Wheel Chocks
- Portable Fire Extinguisher
- Power Supply Vacuum
- Radio/CD Player
- Murphy Gauge
- Body
 - Conventional Body, 127 m³ (166 yd³)
 - Conventional Body, 143 m³ (187 yd³)
 - Conventional Body, 119 m³ (156 yd³)
 - Conventional Body, 110 m³ (144 yd³)
 - Conventional Body, Canopy Extension to the End of Platform
 - HE Body with Canopy, 143 m³ (187 yd³)
- Halogen High Mount Headlights
- HID High Mount Headlights
- Halogen (LH and RH) Windrow/ Work Lighting
- HID (LH and RH) Windrow/ Work Lighting
- Language Monitors – English, Spanish, Italian, Portuguese, Dutch, Norwegian, Swedish, Estonian, Latin, Lithuanian, Slovakian, Slovenian, Greek, Roman, Russian, Polish, Czech, Hungarian, Icelandic, Finish, Danish, Thai, Indonesian, Vietnam, Malaysian, Chinese, Japan, Korean, Croat, Serbian, Mongolian, Hebrew, Turkish, Arabic

For more complete information on Cat products, dealer services, and industry solutions, visit us on the web at www.cat.com

AEHQ7158 (01-2014)

© 2014 Caterpillar
All rights reserved

Materials and specifications are subject to change without notice. Featured machines in photos may include additional equipment. See your Cat dealer for available options.

CAT, CATERPILLAR, SAFETY.CAT.COM, their respective logos, "Caterpillar Yellow" and the "Power Edge" trade dress, as well as corporate and product identity used herein, are trademarks of Caterpillar and may not be used without permission.

